

FLOW MEASUREMENT & CONTROL

Electronic Bypass Flowmeter Code 4912E

Conflow is renowned the world over as the leading supplier of specialist components and systems for dust suppression, fire suppression and all aspects of water control in underground coal Mining.

Today Conflow products can be found operating both on the surface and underground in all the major mining industries, from coal to gold, in more than 30 countries around the world. Furthermore, wherever minerals are moved in bulk – such as quarries, power stations and steel works - Conflow products are helping to reduce the negative impact on the local environment.

At Conflow our aim is to provide you with a comprehensive range of services to meet your individual needs.



Description

The **Conflow Code 4912E – Electronic Bypass Flowmeter** gives a linear electrical signal corresponding to the volume rate of flow of fluid in the pipeline.

It has been designed specially for high flow – high-pressure situations where a conventional in-line flowmeter is impractical.

Although only a small percentage of the total flow passes through the meter, the dial indicates the complete amount due to the directly proportional relationship between the two flows.

The main body tube of the unit is simply a section of the same diameter as the pipeline, so that a minimal amount of pressure resistance is created across the meter.

Typical Applications

- For feed lines on roof support systems where large flow and pressures are present
- For return lines on roof support systems where minimum resistance is a requirement

Conflow

President Park President Way Sheffield South Yorkshire S4 7UR
Tel: +44 (0) 114 224 0000 Fax: +44 (0) 114 278 4974
E-Mail: info@conflow.com Web: www.conflow.com

Conflow Inc

270 Meadowlands Blvd Washington PA 15301 U.S.A
Tel: (724) 746 0200 Fax: (724) 746 0940
E-Mail: sales@conflowusa.com Web: www.conflowusa.com

FLOW MEASUREMENT & CONTROL

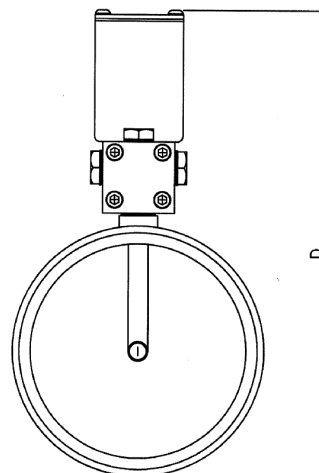
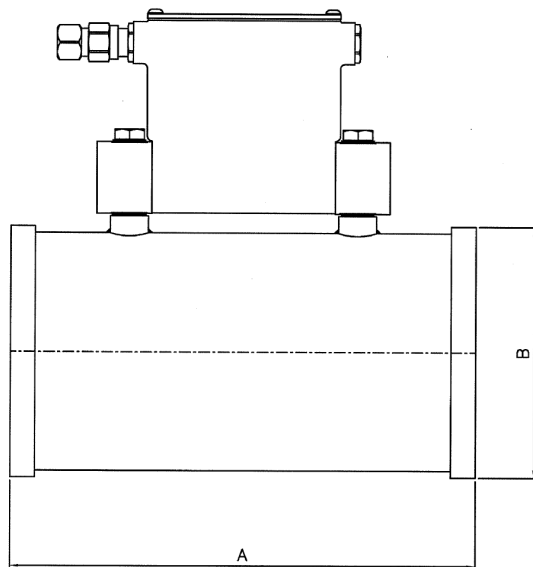
Electronic Bypass Flowmeter Code 4912E

Features

- 1.1/2", 2", 3", 4" & 6" sizes available
- Maximum working pressure 400 bar.
- 0.4-2Vdc or 4-20mA output signals
- Screwed, victaulic and Staplelock versions available.
- Cable Gland Entries
- I.S. Approved – Certification Nos.
 - SIRA 05 ATEX2294
 - IECEX SIR 05.0061
- Unit available with or without pressure transmitter.
- Suitable for flows up to 1000 GPM

Specifications

Unit Size	DIMENSIONS (mm)			
	1 1/2"	2"	3"	4"
A	355	355	355	355
B	58	70	96	122
D	138	250	275	302
WEIGHT	14Kg	15Kg	16Kg	17 Kg



The information on this data sheet is accurate to the best of Conflow's knowledge, however we reserve the right to alter the product specification at any time. For any specific updated detail, please contact us.