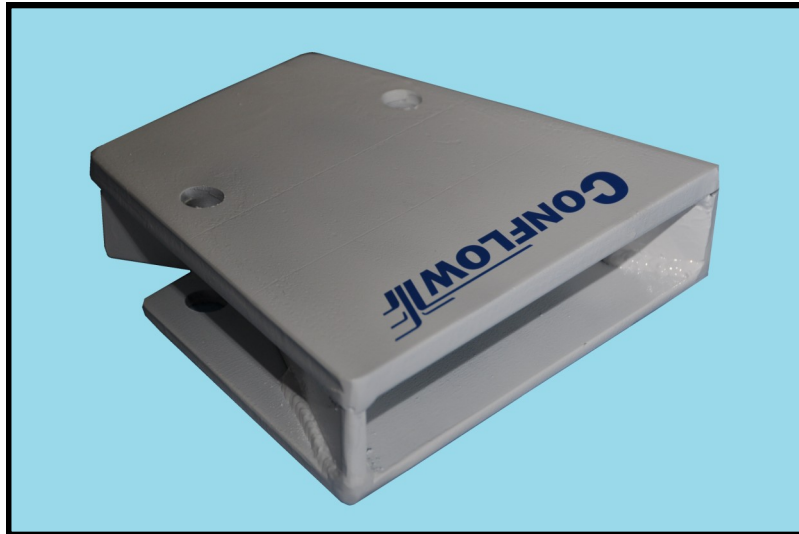


610 4129/S/ VENTURI**

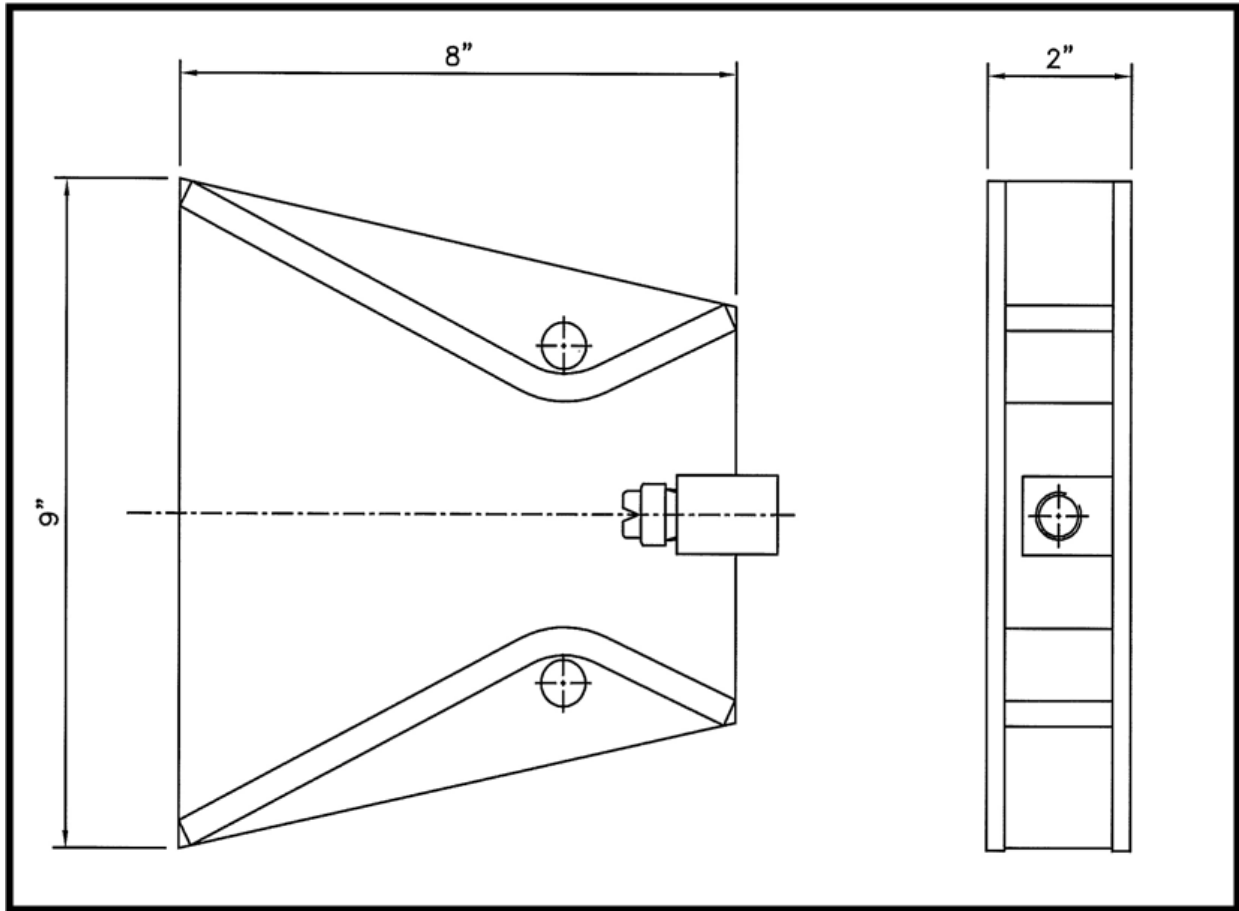
CONFLOW *TF*

**SINGLE FLAT VENTURI PROVIDES AIR MOVEMENT FOR
IMPROVED VENTILATION**



Designed to provide directional air movement and dust suppression on cutting machines, conveyor belts or chutes.

- *Design provides for maximum air movement using principle of venturi.*
- *Maximum working pressure of 1,500 p.s.i.*
- *Incorporates brass flat fan spray with options on orifice size to suit conditions.*
- *3/8" NPT port .*
- *Suitable for use on miners as part of ventilation system and dust suppression.*
- *Effective dust control system for use on belt transfer points, run of conveyor or feeder breakers.*



NOZZLE TYPE							
4129/S/1	PRESSURE P.S.I.	50	100	150	200	250	300
	FLOW G.P.M.	0.34	0.47	0.57	0.67	0.75	0.82
4129/S/2	PRESSURE P.S.I.	50	100	150	200	250	300
	FLOW G.P.M.	0.7	0.95	1.2	1.3	1.45	1.6
4129/S/3	PRESSURE P.S.I.	50	100	150	200	250	300
	FLOW G.P.M.	0.95	1.4	1.7	2	2.2	2.5

VENTURI PART #	NOZZLE #
610 4129/S/1	650/5102/1
610 4129/S/2	650/5102/2
610 4129/S/3	650/5102/3

FOR ADDITIONAL TECHNICAL INFORMATION OR ORDERING , PLEASE CONTACT
 CONFLOW INC. - PHONE (724) 746-0200 - FAX (724) 746-0940
 E-MAIL — sales@conflowusa.com